

## Installation and commissioning

Instructions for installation and commissioning.

Instruction No: 350-277

## Name, article number and e-number

Table 1. Name, article number and email number.

Name	Article number	E-number (SV)
PoE Switch 8p PS OUT S	PL02P00048P050P-UTS	51 73 418

## PoE



### [sv] Om

[sv] PoE Switch 8p PS UT S är en strömförsörjning med PoE för utomhusbruk. Byggt för att klara nordiska förhållande - sommar som vinter. Produkten skiljer sig från inomhus-batteribackuper från Milleteknik och vissa funktioner har tillkommit och andra har fallit från.

## Revisions and the edition of this document

The current and most recently published edition of this document is available at [www.milleteknik.com](http://www.milleteknik.com).

The validity of this document can not be guaranteed, as new editions are published without prior notice.









Instructions for use in Swedish in original.<sup>1</sup>

Instructions for use, technical data and translations thereof may contain errors. It is always the responsibility of the installer to install the product in a safe manner.

<sup>1</sup>Translations in languages other than Swedish are indicative only and not safely reviewed. Translation should always be checked against the Swedish original to ensure accurate information

## Symbols

Table 2. Symbol Explanation

Symbols	Denomination	Explanation
	Warning	Risk of electric shock, improper installation or hot surfaces. Appears in some manuals
	Note	Used for supplementary information that clarifies the text.
	Caution/Important	Indicates the risk of equipment damage or malfunction. Also used for information that is important but not security-related
	Tips	Displays practical advice or shortcuts for installation, operation, or service.
	CE marking	The product complies with applicable EU directives and harmonised standards.
	Read the manual	Please read manual before installation and service.
	Do not dispose of in household waste	The product is covered by the WEEE Directive and must not be disposed of with household waste, it must be recycled and delivered to a recycling centre.
	Recycling	Packaging, products and other materials that do not contain electronics must be recycled in accordance with local environmental regulations.

## Installation — general information

Installation shall be carried out by a competent electrician in accordance with the applicable national electrical installation rules.

The product is of protection class I and must be connected to a grounded 230 V AC circuit.

- A main switch according to IEC 60947-1 shall be provided in the fixed installation. The switch should be easily accessible and clearly marked with its function.
- The area of the supply cable shall be at least 1,0 mm<sup>2</sup> and fitted with a fuse T 2,5 A (slow-blown) or equivalent.
- AC and low voltage cables must not be pulled together. Keep separate cable chutes or bundles
- Check that protective earth (PE) is properly connected before turning on voltage.
- Ensure free air circulation around the enclosure at least 100 mm, unless otherwise specified. Ventilation openings must not be covered.
- The product is intended for indoor installation in normal environment (pollution number 2 and indoor class 1).

These general requirements apply to all Milleteknik products with 230 V mains connection.

### Requirements for main switch, fuse and cable area

In order to comply with applicable electrical safety requirements, the installation shall be equipped with a main switch according to IEC 60947-1.

Table 3. Main switch and fuse

Component	Requirements
Main switch	A main switch according to IEC 60947-1 shall be included in the installation and be easily accessible. Separated phase (F) and neutral (N)

Component	Requirements
Fuse	The supply circuit shall be protected by a fuse or automatic fuse with rated current according to the product specification (normally T 2,5 A slow-blown or equivalent). Refer to the device's nameplate.
Fuses	Approved type according to IEC 60127.
Cross-sectional area (230 V)	At least 1,0 mm <sup>2</sup>
Cable length	In the case of longer wiring, voltage drops should be taken into account so that the operating voltage does not fall below 230 V $\pm$ 10% at the unit.
Strain relief	All cables must be properly secured and strain relief checked before energizing the unit.

These requirements apply to all Milleteknik products with 230 V mains connection.

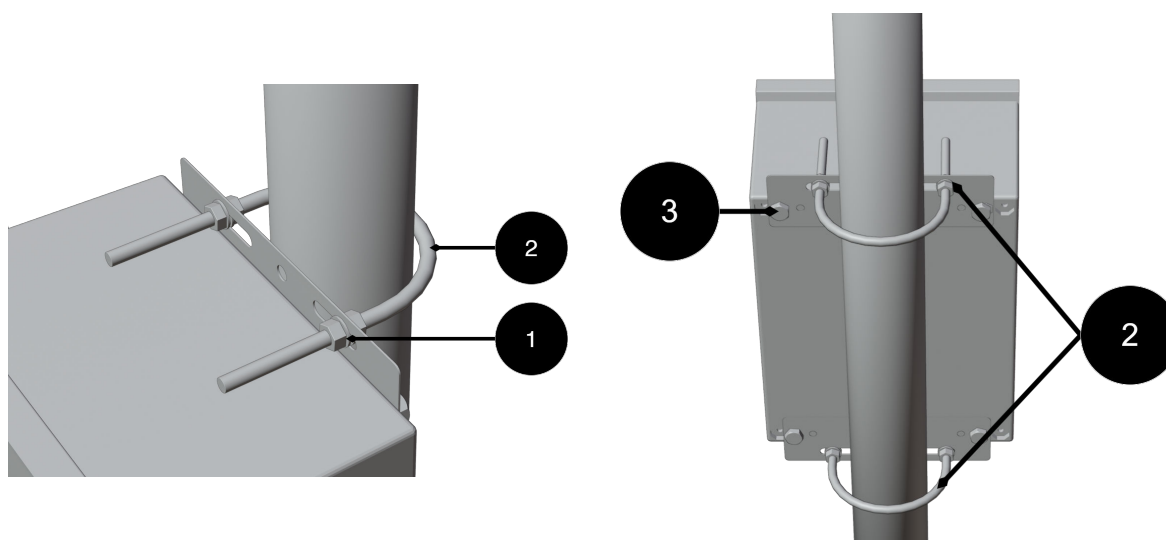
The table below shows recommended cable area for low current installations at different voltages, current strengths and cable lengths. Values are based on copper cable and a maximum voltage drop of approximately 3% to ensure operational reliability.

## Enclosures

### [sv] Montering utomhus

- [sv] Produkten är avsedd för montering på stolpe med skenor eller motsvarande fästdetaljer.
- [sv] Använd skenor och infästningar som är kompatibla med produktens vikt och monteringsmönster.
- [sv] Montera skenor i produkten innan stolpfästen eller rörklämmor monteras.
- [sv] Placera rörklämmor eller motsvarande fästdetaljer runt stolpen och anslut dem till skenor monteringspunkter.
- [sv] Kontrollera att produkten är riktad och monterad i vertikalt läge innan åtdragning.
- [sv] Stolpens diameter och material ska vara lämpligt för vald typ av fästdetalj.
- [sv] Dra åt samtliga skruvar och muttrar enligt fästdetaljens rekommendationer.
- [sv] Säkerställ att produkten sitter fast och inte kan rotera eller glida på stolpen efter montering.
- [sv] Kabelinföringar ska orienteras nedåt eller enligt produktens specifika installationsanvisningar.
- [sv] Undvik placering där vatten kan rinna direkt ned på kapslingen från ovanliggande ytor.
- [sv] Montering ska utföras enligt gällande installationsregler och av behörig installatör.

### [sv] Montering på stolpe



[sv] Montering på stolpe

[sv] Montera i denna ordningen:

1. [sv] Placera fästplåtarna (3) på kapslingens övre och nedre infästningspunkter och fäst dem lätt med medföljande skruvar. Dra inte åt slutligen ännu.
2. [sv] För den nedre U-bulten (2) runt stolpen och genom hålen i den nedre fästplåten. Montera brickor och muttrar. Dra åt lätt.
3. [sv] För den övre U-bulten (2) runt stolpen och genom hålen i den övre fästplåten. Montera brickor och muttrar.
4. [sv] Justera kapslingens läge så att den är i lod och centrerad mot stolpen.
5. [sv] Dra åt alla muttrar i turordningen: – nedre U-bult – övre U-bult – skruvarna till fästplåtarna
6. [sv] Kontrollera infästningen genom att belasta kapslingen lätt framåt/bakåt för att säkerställa stabil montering.

## Component overviews

### [sv] Komponentöversikt monteringskit

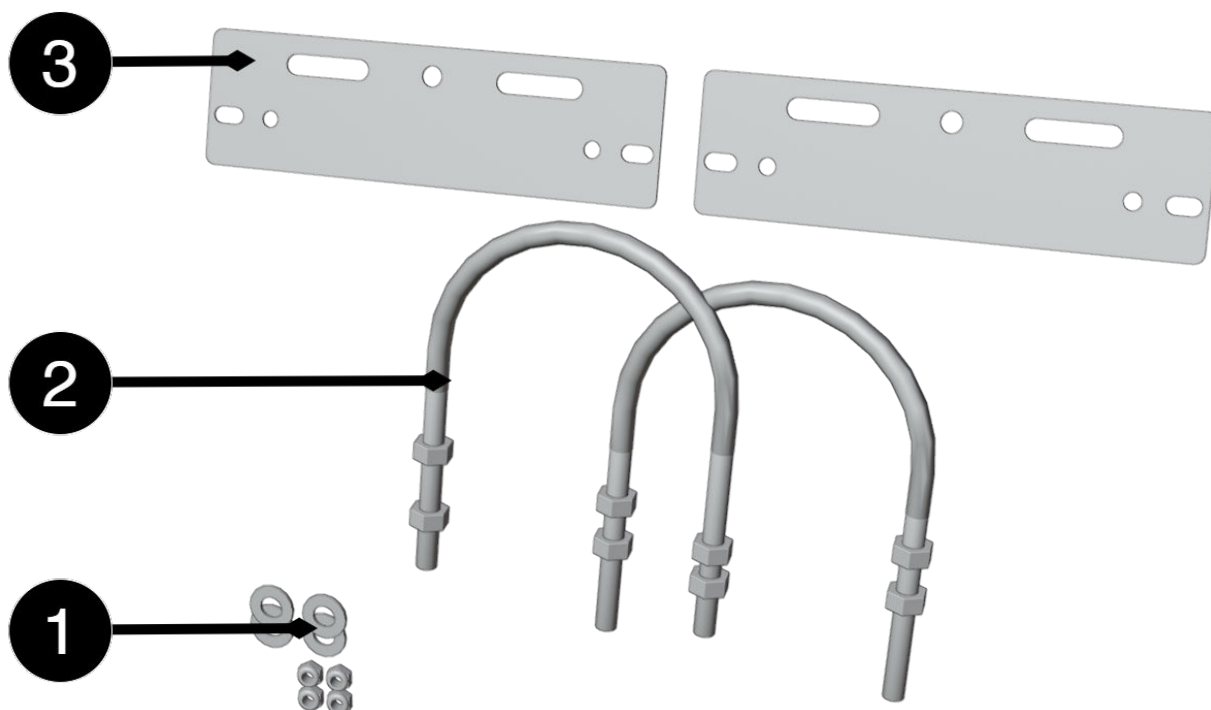


Table 4. [sv] Komponentöversikt

[sv] Nr	[sv] Förklaring
1	[sv] Fästplåt
2	[sv] U-bult för stolpe
3	[sv] Brickor och muttrar

## Component overview NOVA FLX L

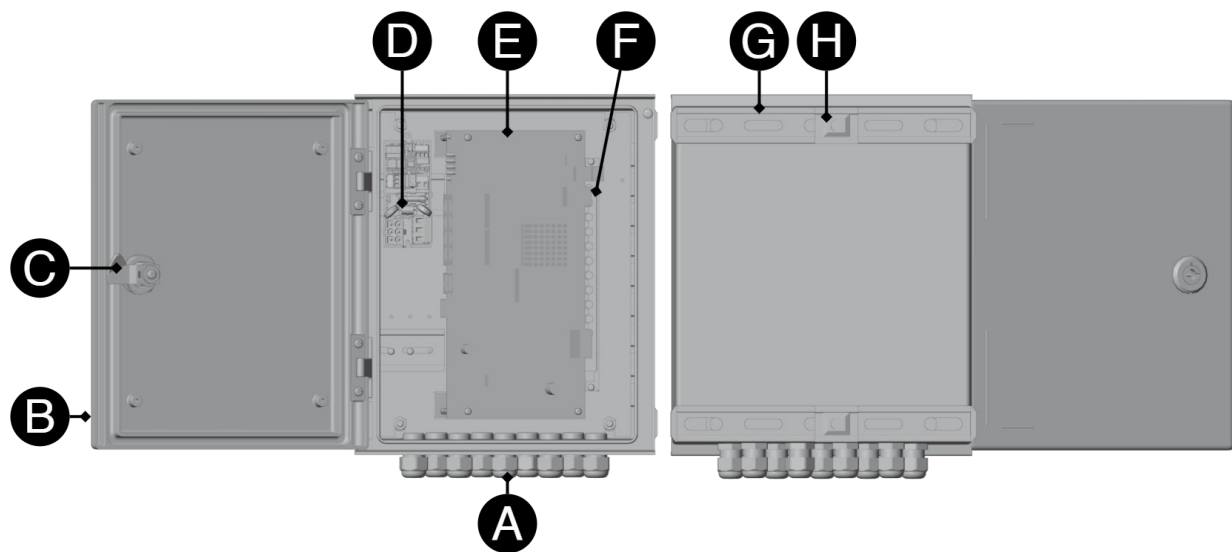
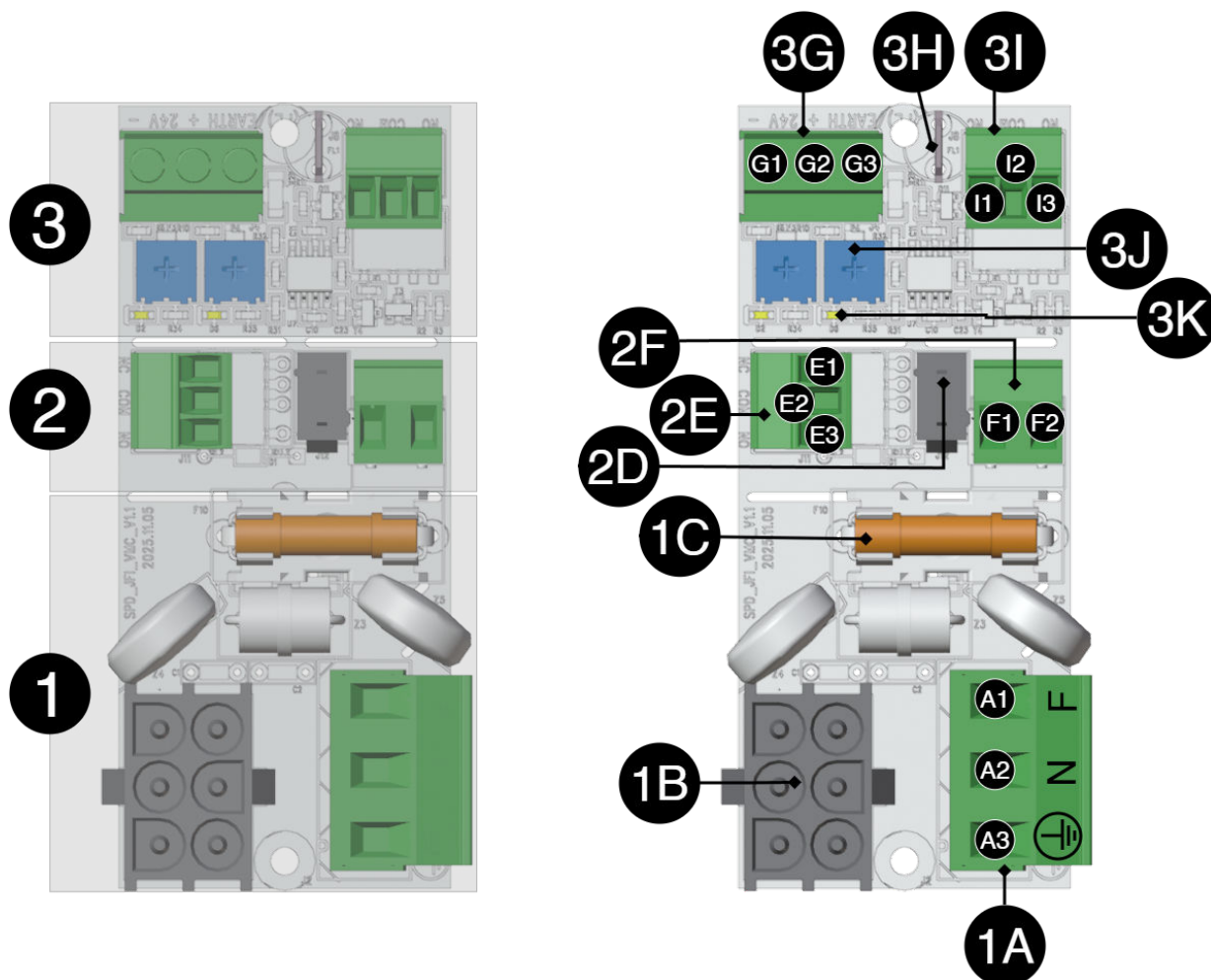


Table 5. [sv] Komponentöversik

[sv] Bokstav	[sv] Förklaring
A	[sv] Kabelgenomföringar.
B	[sv] Dörr.
C	[sv] Lås.
D	[sv] Inkoppling- /äskskyddskort.
E	[sv] PoE-kort.
F	[sv] Nätaggregat.
G	[sv] Fäste på baksida.
H	[sv] Fästskruv.

## [sv] Kortbeskrivning 230 V inkoppling, 24 V DC ut och åskskydd

Figure 1. [sv] Kortet är tredelat och kan delas upp för att erhålla önskad funktion.



[sv] Kortet har tre delar, det är inte säkert att alla konfigurationer har alla delar av kortet.

Table 6. [sv] Kortbeskrivning, del 1.

[sv] Beteckning	[sv] Förklaring
[sv] 1A	[sv] Inkoppling 230 V AC inkommande.
[sv] A1	[sv] Fas (F)
[sv] A2	[sv] Neutral (N)
[sv] A3	[sv] Jord (PE)
[sv] 1B	[sv] Inkoppling till nättaggregat.
[sv] 1C	[sv] Nätsäkring.

Table 7. [sv] Kortbeskrivning, del 2.

[sv] Beteckning	[sv] Förklaring
[sv] 2D	[sv] 24 V DC strömmatning från nättaggregat.
[sv] 2E	[sv] Larm
[sv] E1	[sv] NC
[sv] E2	[sv] COM
[sv] E3	[sv] NO
[sv] 2F	[sv] 24 V ut.
[sv] F1	-
[sv] F2	+

Table 8. [sv] Kortbeskrivning, del 3.

[sv] Beteckning	[sv] Förklaring
[sv] 3G	[sv] 24 V DC in
[sv] G1	-
[sv] G2	+
[sv] G3	[sv] PE
[sv] 3H	[sv] Extern jordanslutning (i kapsling/jord).
[sv] 3I	[sv] Larm
[sv] I1	[sv] NO
[sv] I2	[sv] COM
[sv] I3	[sv] NC
[sv] 3J	[sv] Potentiometer, ställbar +/-
[sv] 3K	[sv] LED, lyser gult vid jordfel.

### [sv] Inkoppling av strömmatning

[sv] 230 V kopplas in på plint 1A.

### [sv] Teknisk beskrivning (ML - fyll i här)

[sv] Vad gör kortet?

[sv] Tekniska specifikationerna:

## [sv] Anslut matningsspänning, 230 V AC

[sv] Matningsspänning kopplas in på plinten.

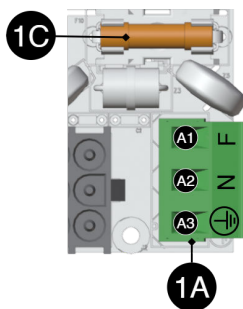


Table 9. [sv] Kortbeskrivning, del 1.

[sv] Beteckning	[sv] Förklaring
[sv] 1A	[sv] Inkoppling 230 V AC inkommande.

<i>[sv] Beteckning</i>		<i>[sv] Förklaring</i>
	<i>[sv] A1</i>	<i>[sv] Fas (F)</i>
	<i>[sv] A2</i>	<i>[sv] Neutral (N)</i>
	<i>[sv] A3</i>	<i>[sv] Jord (PE)</i>
<i>[sv] 1C</i>		<i>[sv] Nätsäkring.</i>

## *[sv] Driftsättning - hur enheten skall startas*



### **DANGER**

Personal injury or death can occur if the device is connected to the mains or live when disassembling / moving.

1. *[sv] Anslut last.*
2. *[sv] Anslut nätspänning.*
3. *[sv] Koppla in nätspänning.*

## Maintenance

The system with the exception of batteries is maintenance-free when installed in an indoor environment.

## Product sheet - power supply / battery backup

### Product sheet - power supply from Milleteknik

#### POE



### NAME, ARTICLE NUMBER AND E-NUMBER

Table 10. Name, article number and email number.

Name	Article number	E-number (SV)
PoE Switch 8p PS OUT S	PL02P00048P050P-UTS	51 73 418

## AREA OF USE

Power supply to power PoE devices such as surveillance cameras and other PoE powered devices.

Long life, energy efficient and support is available if something goes wrong, now or in 10 years.

## COMMON USES

- Supports IP cameras, readers, door centers and other networked security devices
- Power and data distribution over a single network cable for simplified installation.
- Used to power IP-based access systems where both data and power go through network cabinets.

## TECHNICAL DESCRIPTION

PoE switch with eight PoE fed ports and two LAN ports and one sfp port. Power supplies power PoE cards. The device lacks batteries, so backup power in case of power failure is not possible

## VOLTAGE, CURRENT AND POWER

Mains voltage: 230 V AC - 240 V AC, 47 Hz - 63 Hz.

Power: 240W and 30.8W per port. 48V power supply directly from power supply.

Self-consumption is the power outlet the circuit board has when the system is deployed and in battery operation.

Table 11. Self-consumption

Circuit Boards	Self-consumption (in battery operation)	Comments
----------------	-----------------------------------------	----------

## LOAD OUTPUTS

PoE switch can drive load to PoE devices and external power supply can drive one (1) 24 V load output to power other applications.

## PROTECTION

Protection against: Overvoltage, overtemperature and short circuit.

## INDICATIONS AND COMMUNICATION

Communication via software in switch. Indications on LEDs on switch

## ENCLOSURE

Box in fiberglass reinforced acrylic plastic.

Table 12. Dimensions, with and without packaging.

Dimensions, height x width x depth. <sup>a</sup>	Dimensions with packaging.
300 x 250 x 141 mm.	515 x 415 x 308 mm

<sup>a</sup>Dimensions of product and packaging may differ, this is because the product may lie differently in the packaging.

Table 13. Height units, fan and IP class.

HE	Built-in fan	IP class
7 <sup>a</sup>	No	IP20

<sup>a</sup>Cannot be mounted in a 19" rack.

## WEIGHT

Table 14. Weight.

Name	Net weight	Weight incl. packaging
PoE Switch 8p PS OUT S	-	-

## INSTALLATION REQUIREMENTS

The device is intended for fixed installation. Ambient temperature: – 15°C to +35°C.

## REQUIREMENTS THAT THE PRODUCT MEETS

Table 15. The product meets the following requirements.

EMC:	EMC Directive 2014 / 30EU
Electricity:	Low voltage directive: 2014/35 / EU
CE:	EC Directive in force: 765/2008
Emissions:	
Immunity:	EN61000-6-2:2005, EN61000-4-2, -3, 4, -5, -6, -11 SS-EN 50 130-4:2011 Edition 2, EN50131-6
Machinery Directive	The product is part of electrical systems, is subject to the relevant electrical and safety directives and is not a machine according to the Machinery Directive (2006/42/EC).
Ecodesign	Milleteknik's products are intended for professional use and are therefore not directly covered by the Ecodesign Regulation (EU 2019/1782). As some components may be covered, we nevertheless disclose relevant information to give our customers confidence in their choice
<b>Efficiency (%)<sup>a</sup></b>	<b>Standby consumption, typical (W):</b>
93%, 94%	0.5W, 0.5W

<sup>a</sup>At rated load.



## GUARANTEE

The product has a two-year warranty for manufacturing defects. Components that are manufactured by a manufacturer other than Milleteknik are not covered by Milleteknik's warranty.

## EXPANDABLE, OPTIONS AND ACCESSORIES

The product cannot be expanded.

## MANUFACTURING, LIFESPAN, ENVIRONMENTAL IMPACT AND RECYCLING

Manufactured by Milleteknik in Partille, Sweden.

The product is designed for a long service life, which reduces the environmental impact. End-of-life products are handed over to the nearest recycling centre.

## LINK TO TECHNICAL SPECIFICATIONS

### LINKS TO MANUALS AND PRODUCT SHEETS

You can find manuals and product sheets at: [www.milleteknik.se](http://www.milleteknik.se) The QR code below takes you to the product page.

Name	Dimensions	Batteries that fit	Link
------	------------	--------------------	------

Batteries are only included if specified, otherwise batteries will need to be purchased separately.

### MISCELLANEOUS

The difference between PoE, PoE+ and PoE++.

Table 16. Max power PoE.

-	PoE	Poe+	PoE++
Compatible <sup>a</sup>	-	PoE	PoE, PoE+
Official name	IEEE 802.3af	IEEE 802.3at	IEEE 802.3bt
Maximum power	13 W	25 W	71 W

<sup>a</sup>The power supply follows "up", but not "down". A PoE can never power a PoE+/PoE++ device that requires more than 13 W.

### ABOUT THIS INFORMATION

All information is published subject to possible errors. Information is updated without prior notice.

[sv]

[sv]

Publication date 2025-12-12

## Address and contact details

Milleteknik AB  
Ögärdesvägen 8 B  
S-433 30 Partille  
Sweden  
+46 31 340 02 30  
info@milleteknik.se  
www.milleteknik.com